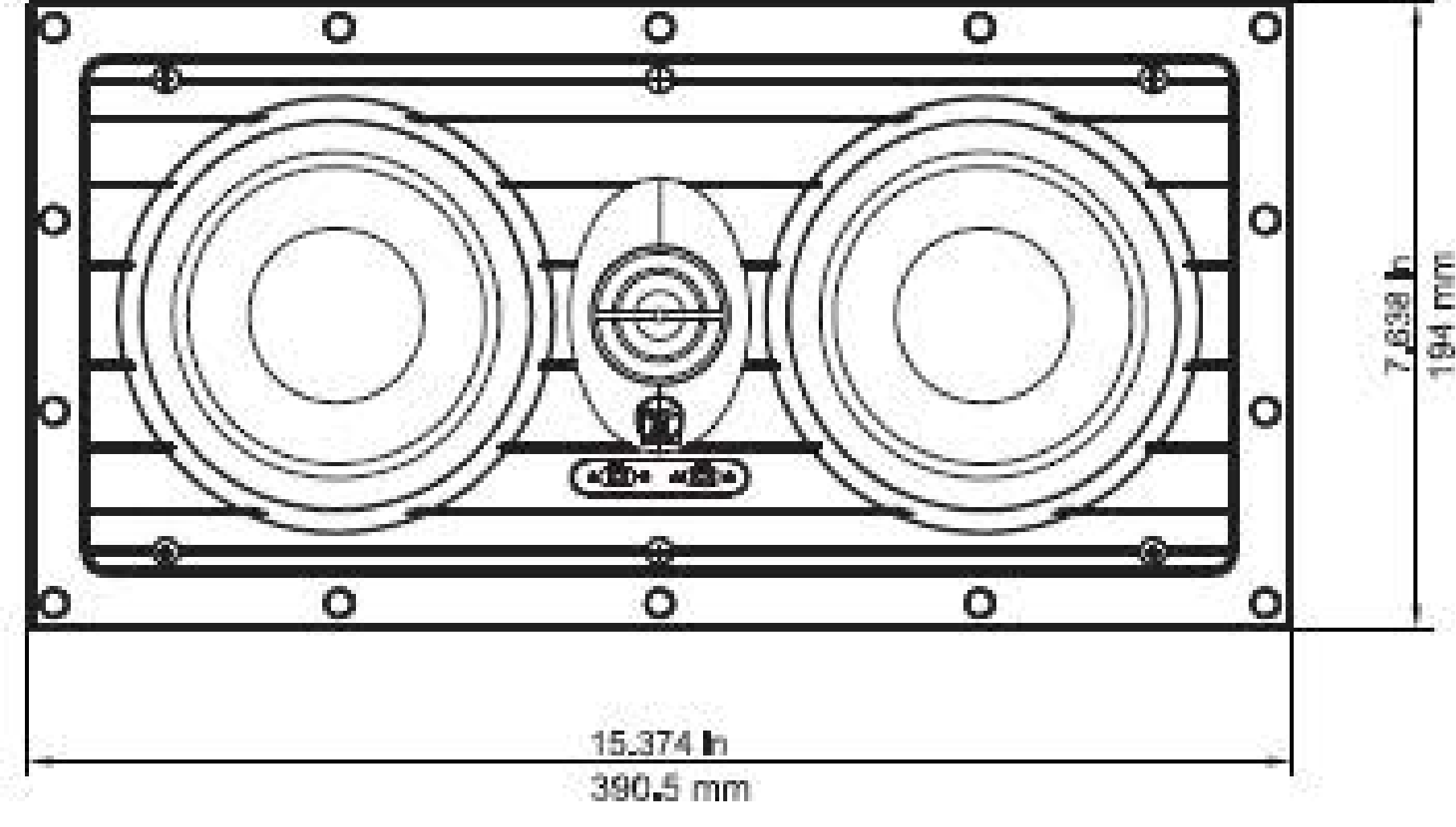
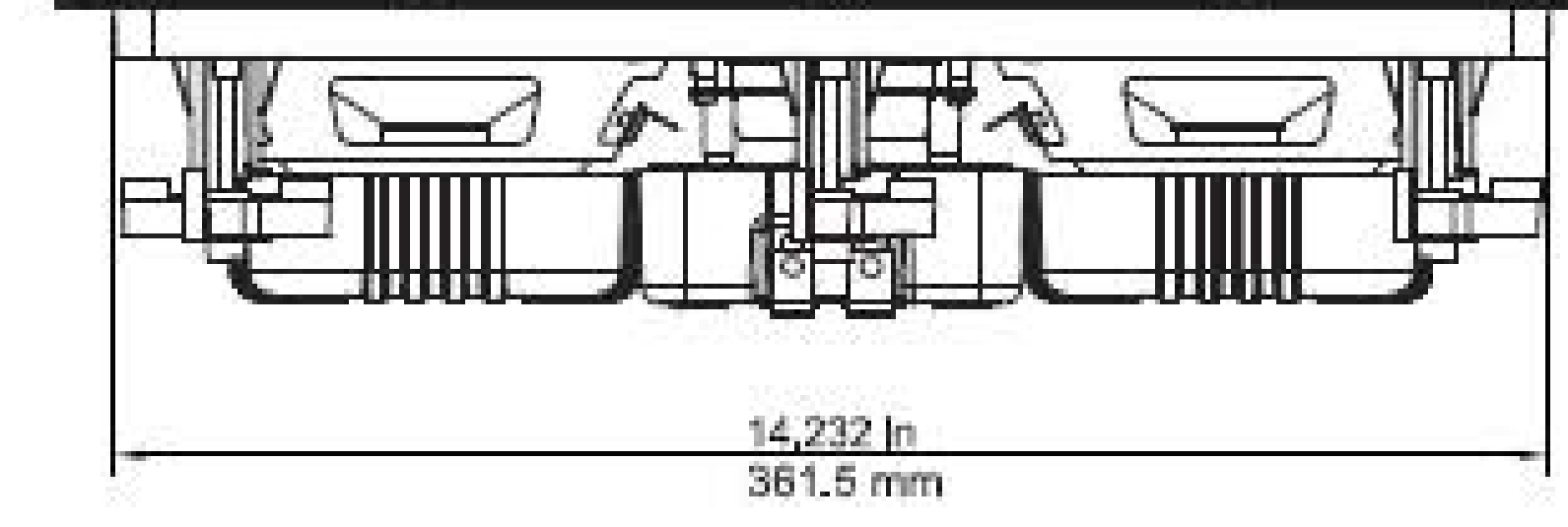
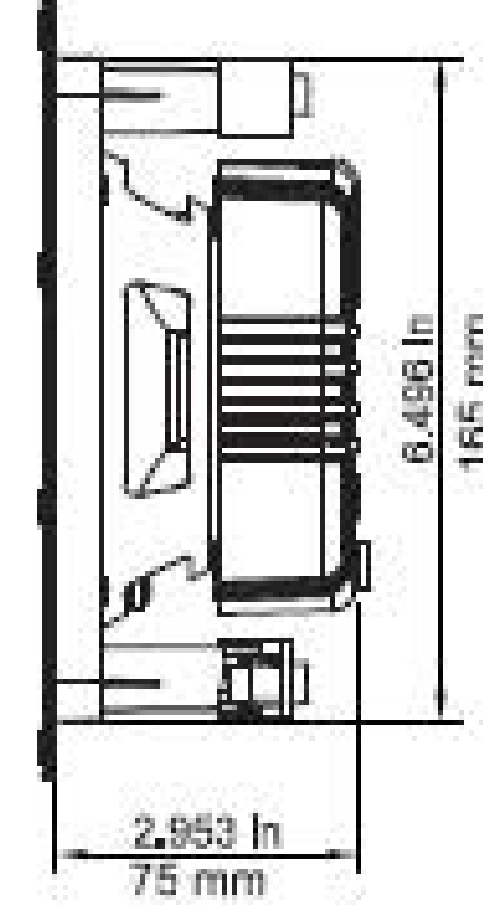


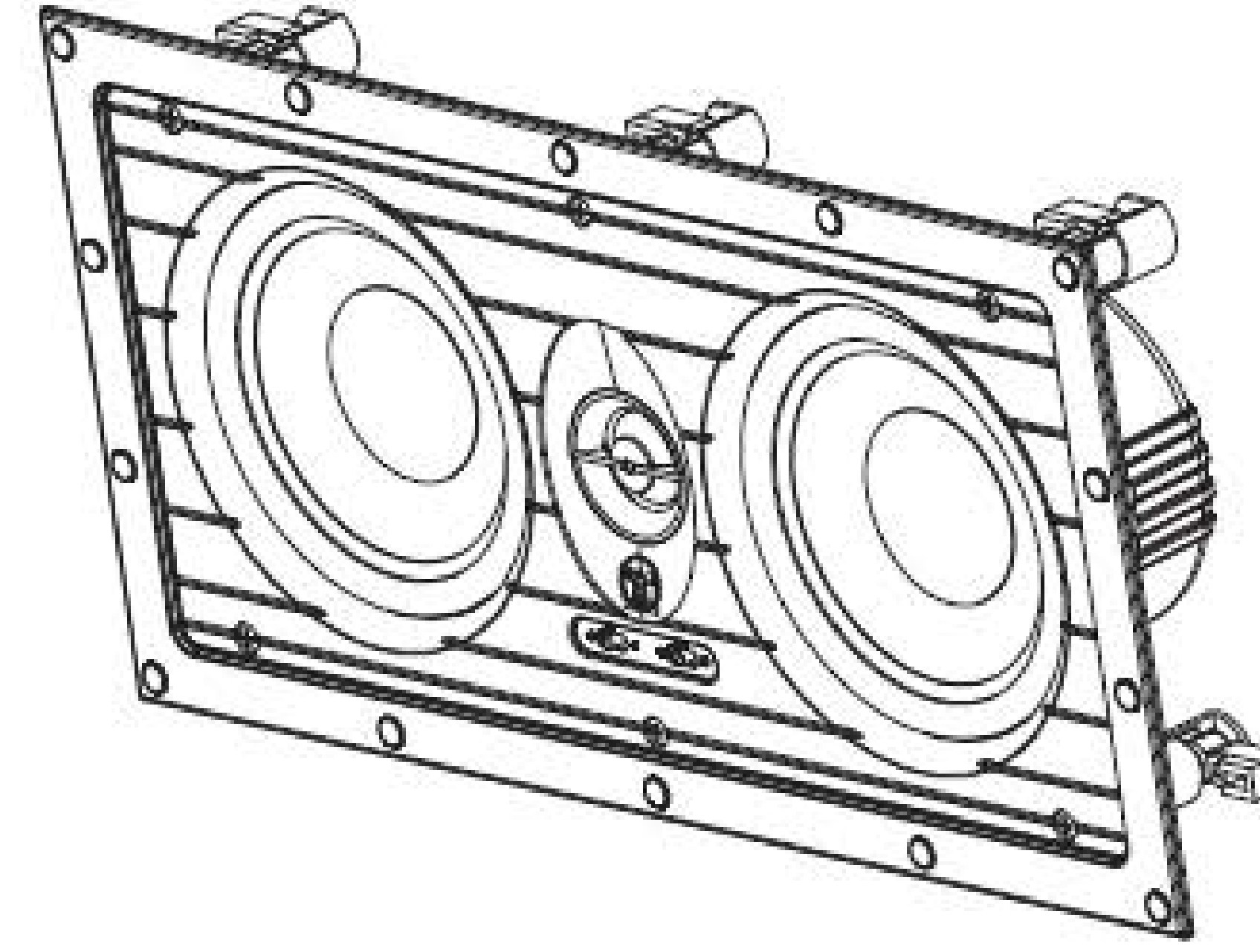
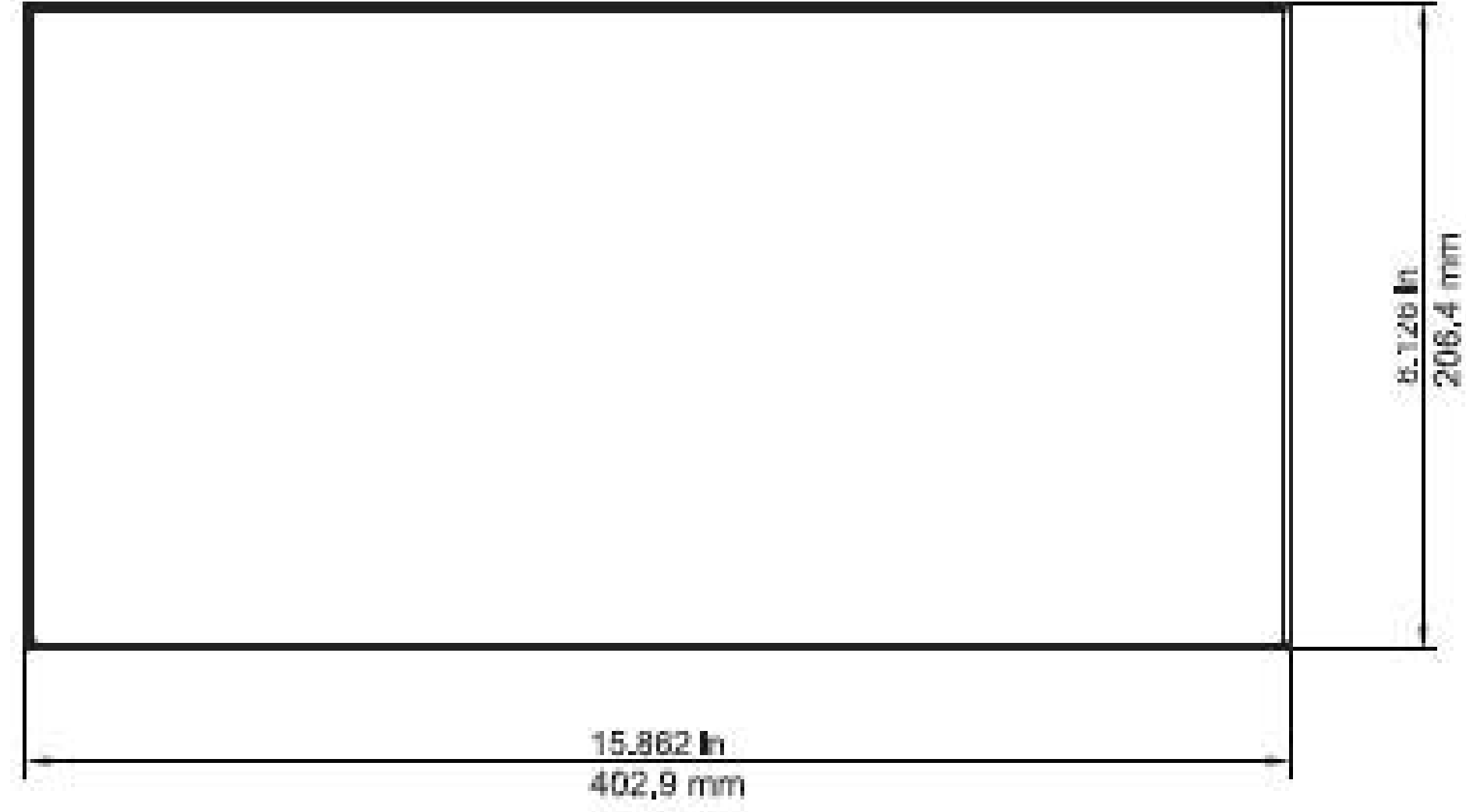
FRONT



MOUNTING DEPTH/
MINIMUM CUTOUT



GRILLE



NFLCR53 SERIES

REV.

DRWN - PART NUMBER

DRAWN BY:

SCALE: 1:1

SHEET: OF

RELEASED ON:

1 (866) TDG 6321 | TDGAUDIO.COM