

Some of the best places to listen to music are beyond the walls of our homes. That's why the TDG Audio Marine Series lets you take your favorite music to the great outdoors. Whether it's a boat deck or a patio deck the marine speakers stand up to the harshest environments and perform with outstanding accuracy. These are no ordinary outdoor speakers. We took two of our finest in-celling speakers and loaded them with technology to resist the elements. The IP-66 certified design meets strict independent standards for resistance to water. The unique magnetic stainless-steel grill will never rust. The TDG Audio Marine Series means you no longer have to make compromises when listening to audio outside.

Our team is genuinely excited about music and still gets a thrill when we listen to our favorite music perfected on one of our newest creations. Of course each of our speakers is backed by our **LIFETIME WARRANTY**.

FEATURES

- 6 ½" Aluminum Trueform™ Woofer
- 1" Aluminum HDAlloy™ Pivoting Tweeter
- Smooth Visual Flangeless System
- PRX™ Poly Resin CrossPoint Molds For Increased Rigidity
- PRX™ Dog Legs
- Never Rust™ Grills Firmly Attached With Neodymium Magnets
- Military Spec Epoxy Coated Crossover
- Conforms to Military Standard 810G for Humidity, Salt Spray, Temperature and UV
- IP-66 Rating For Protection Against Heavy Seas And Powerful Jets Of Water
- XTS™ Moisture Seal Treated Crossover
- Extra Wide Threaded Screws for Quick Dog Leg Fastening
- 2 Part Dog Leg for Extra Thick Ceilings
- Large Push Gold Plated Binding Posts
- Removable Scrim Cloth
- **LIFETIME WARRANTY**



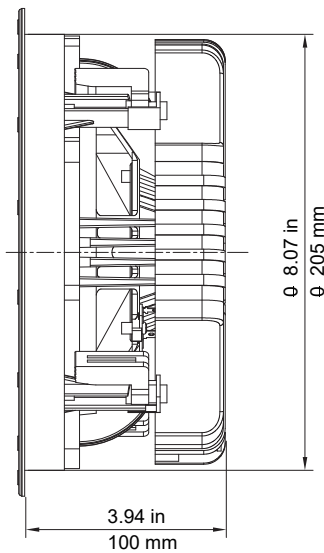
ACOUSTIC SPECIFICATIONS

- 6 ½" Aluminum Trueform™ Woofer
- 1" Aluminum HDAlloy™ Pivoting Tweeter
- 5/110 WPC Power handling
- Frequency Response 47Hz - 20kHz
- 88dbSPL

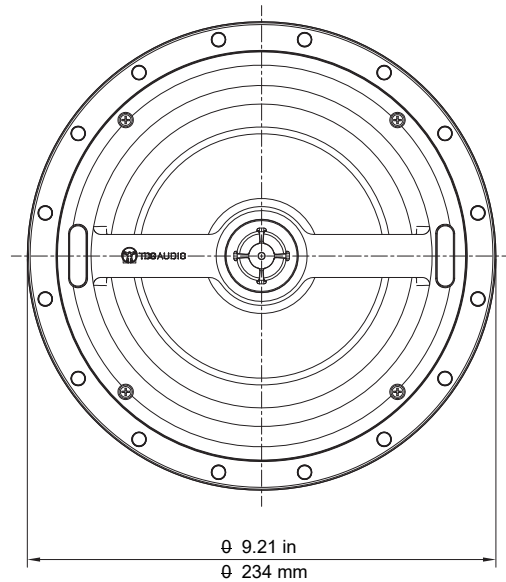
MECHANICAL SPECIFICATIONS

- Total Diameter with Grill: 9 ¼" (246mm)
- Mounting Depth: 4" (100mm)
- Cut Out Dimensions: 8 ¼" (210mm)

MOUNTING DEPTH/ MINIMUM CUTOUT



FRONT



GRILLE

